



PRICE PUMP CO.

CLOSE COUPLED CENTRIFUGAL  
MOTOR PUMPS

# TYPE EC

(ALL IRON & CIBF)

# TYPE E100B

(ALL BRONZE)

## APPLICATIONS

**INDUSTRY**—Coolant pumps, hot and cold water circulating pumps, chemical transfer pumps, booster pumps.

**O.E.M.**—Circulating, washers, booster, towers and evaporating condensers, coolants.

## FEATURES

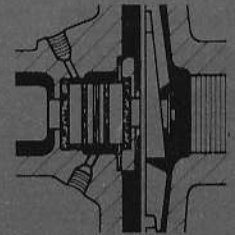
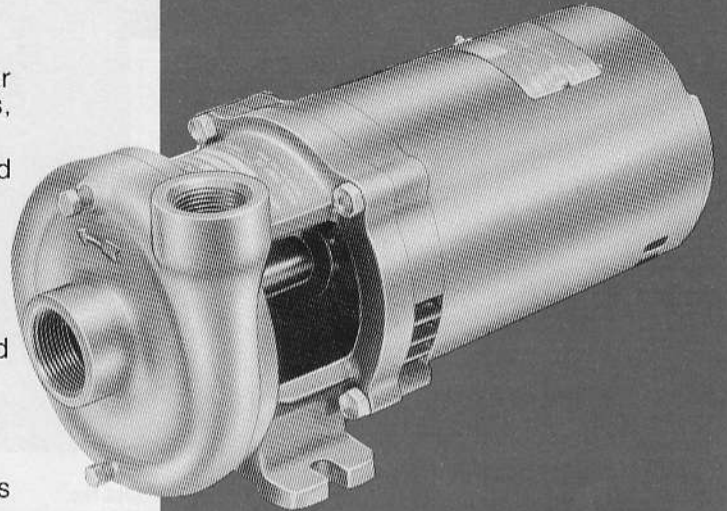
- Compact close coupled design using standard NEMA 56C motors.
- Back pull-out design for easy serviceability.
- 303 Stainless Steel shaft standard.
- Mechanical Seal: Type 6A Buna, carbon vs ceramic single seal standard. (75 PSI MAX.)
- Type 21 Viton and Type 9 Teflon single seals optional. Other seal faces and elastomers available. (200 PSI MAX.)

### Type EC Features:

- Sizes: 1" x 1¼" x 5" (EC100) and 1½" x 2" x 5" (EC150).
- Double Type 21 Viton, Neoprene or EPR seals optional.
- Seal Flush, seal quench optional.

### Type E100B Features:

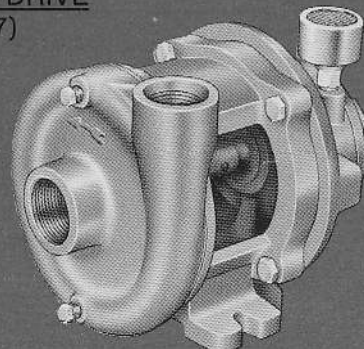
- All cast bronze construction.
- Size: 1" x 1¼" x 5"
- Seal flush optional.
- Double Type 21 Viton, Neoprene or EPR seals optional.



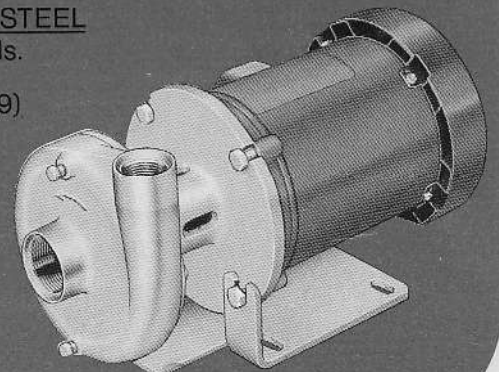
DOUBLE SEAL OPTION

## ALSO AVAILABLE AS:

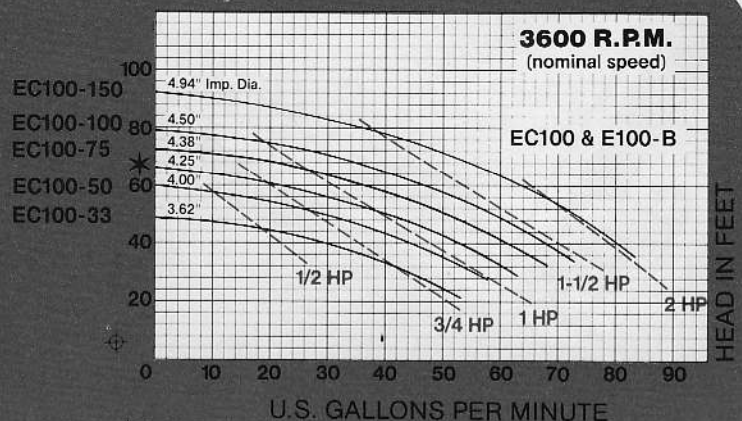
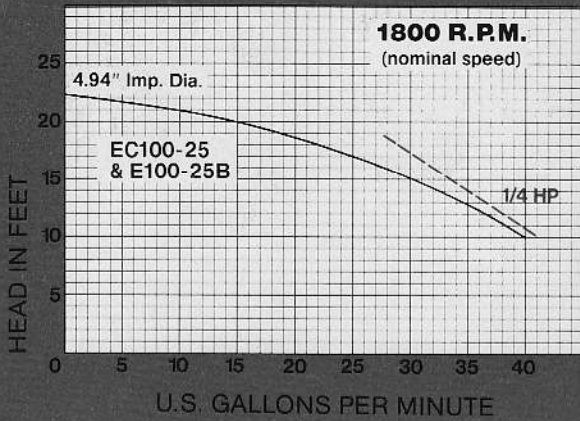
with AIR MOTOR DRIVE  
(see Bulletin #127)



316 STAINLESS STEEL  
Equivalent models.  
TYPE SC  
(see Bulletin #109)

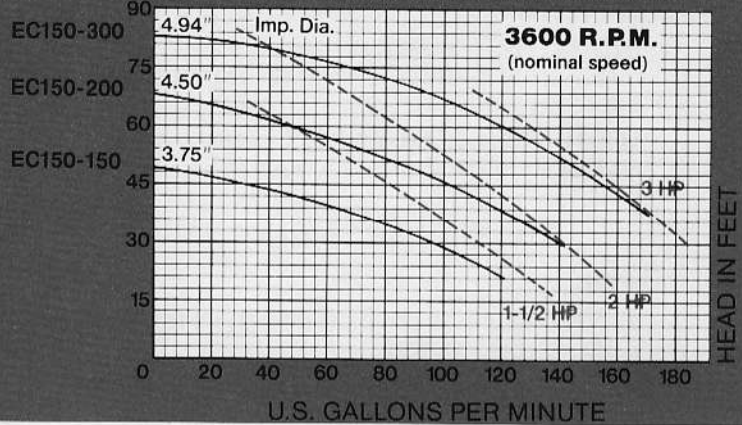
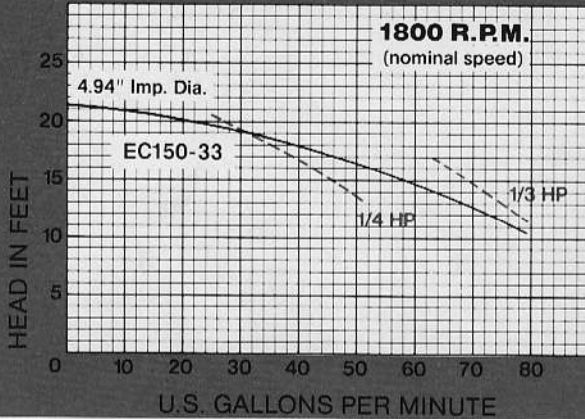


## PERFORMANCE CURVES



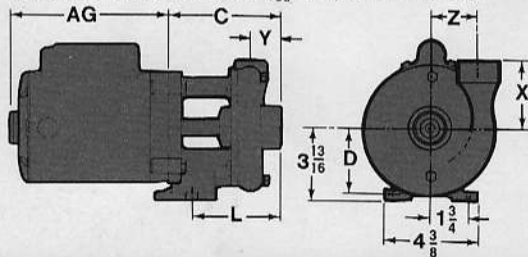
\* Note: E100-75B and EC100-75CIBF impeller diameter is 4.25"

Note: Dotted lines show HP required on 1.0 SG liquid. Pumps with enclosed motors (Except EC100-25, E100-25B and EC150 models) will be supplied with the next size motor



### DIMENSIONS—in inches:

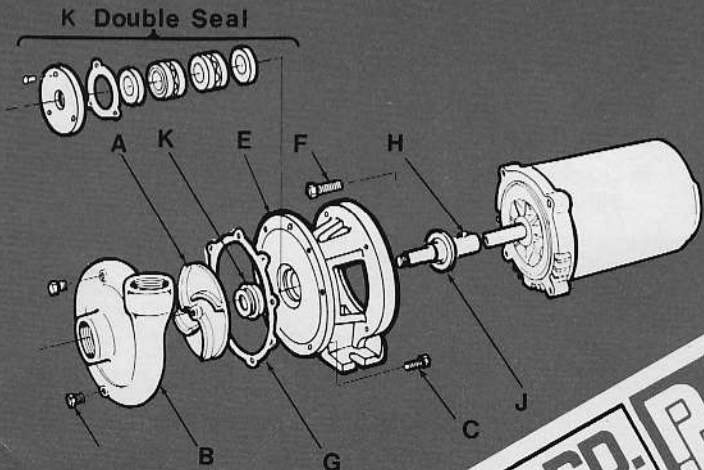
AG Dimensions based on 1/60-115/230 V motors.



Model No.	AG	Approx. ODP Ship Wght.	Disch.	Suct.	C	D	L	X	Y	Z
EC100 & E100B										
Sizes:										
25	7 3/4	34#								
33	8 1/2	35#								
50	8 3/4	36#	1	1 1/4	5 13/16	3 3/4	4 7/16	3 1/2	1 3/4	2 1/4
75	9 1/4	39#								
100	9 3/4	43#								
150	10 1/2	49#								
EC150-33	8 1/2	45#								
EC150-150	10 1/2	57#	1 1/2	2	6 1/8	3 3/8	5	3 3/8	1 3/4	3 3/8
EC150-200	11 1/8	62#								
EC150-300	12 3/8	65#								

### PARTS LIST

	EC100		EC150		E100B
	AI	CIBF	AI	CIBF	
A. Impeller					
Sizes:					
25	0216	0217			0217
33	0218	0219			0219
50	0220	0221	0231	0258	0221
75	0222	0223			0223
100	0224	0225			0225
150	0216	0217	0231	0258	0217
200			0231	0258	
300			0231	0258	
B. Volute	0214		0180		0215
C. Volute Bolts	0573 (4 rqd.)		0573 (8 rqd.)		0376 (4 rqd.)
D. Pipe Plugs (2 rqd.)	0557		0557		0558
E. Bracket	0212		1180		0213
F. Motor Bolts (4 rqd.)	0588		0588		0592
G. Gasket, Synthetic Fiber			0506		
H. Shaft with Set Screws			0226-1		
J. Slinger			0522		
K. Mechanical Seal:					
Buna T6A (Standard)			0538		
Viton T6A			0539		
Teflon T9			1150		
Neoprene w/NiResist Seat T6A			0675		
E.P.R. T6A			0383		
DOUBLE SEAL					
Viton T21 (2 rqd.)			0985		
Neoprene T21 (2 rqd.)			0984		
E.P.R. T21 (2 rqd.)			1023		
D.S. Seal Cover			0973		
D.S. Seal Cover Gasket			0974		
Seal Cover Bolts (3 rqd.)			0256		



**PRICE PUMP CO.**

19672 - 8th Street East  
P.O. Box Q  
Sonoma, California 95476  
Tel: (707) 938-8441  
FAX: (707) 938-0764